



# ASCENT™ Aluminium Walkways

## For Flat Roofing systems

Safety Fabrications has a long history of working within the construction industry providing permanent safe access walkways for inspection, repair and maintenance on pitched and flat roofs.

### Industrial Knowledge and Heritage

Safety Fabrications is based in the heartland of Sheffield's manufacturing industry and has a philosophy of supporting local suppliers. We work closely with them using their experience and skills to meet the exacting time and quality standards the construction industry demands.

### Design Principles

The Ascent range of aluminium walkways is a standardised modular system allowing specifiers to design compliant walkways for access on all major manufacturers and their flat roofing systems. A guardrail system can be added to either one or both sides of walkway.

### Compliance

Safety Fabrications Aluminium walkways are manufactured in accordance with CE certification. They are tested to BS EN 516:2006 Class 1 Type C meeting all the Health and Safety requirements demanded.

The walkway can be configured with a handrail to withstand a loading of either 0.36 kN (general duty) or 0.74 kN (heavy duty) and can be supplied with an optional toeboard if required. The Ascent walkway is unique in that it can achieve these loadings without the need for additional bracing—allowing the walkway to be placed against the area 7to be accessed.



**SafetyFabrications**  
MAKE STEEL WORK

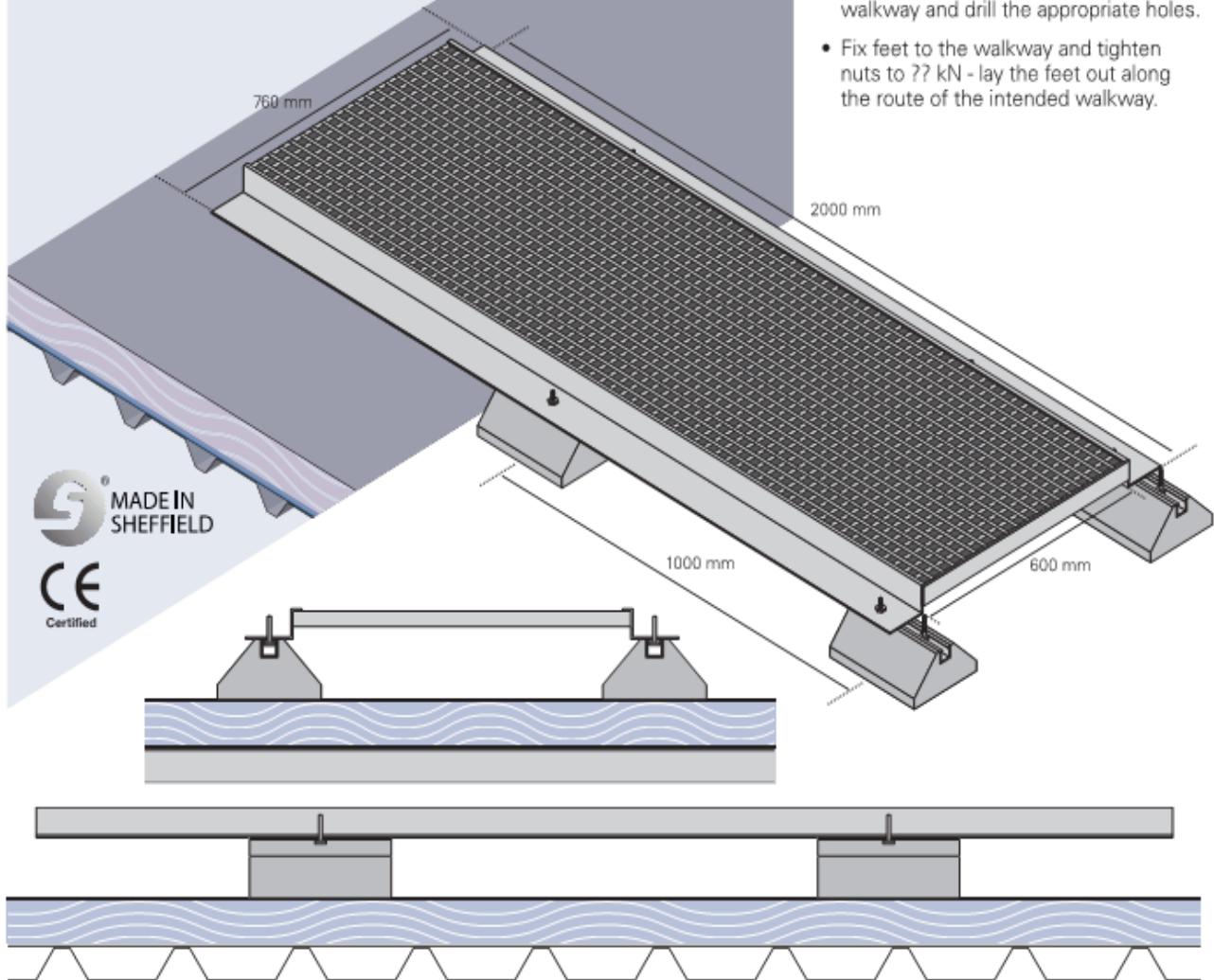


# ASCENT™ Aluminium Walkways

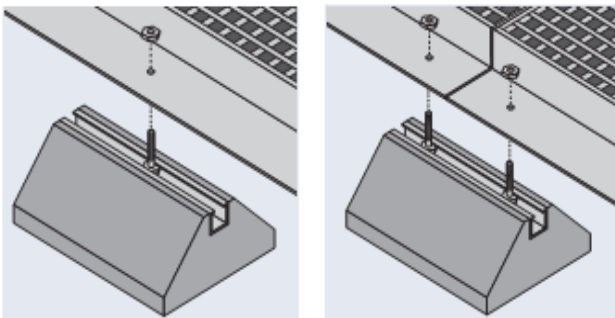
SPECIFICATION DETAILS FOR  
FLAT ROOFING SYSTEMS

## INSTALLATION GUIDE; Laying Walkways across the Fall of the Roof on Roof Pitches Less than 3°

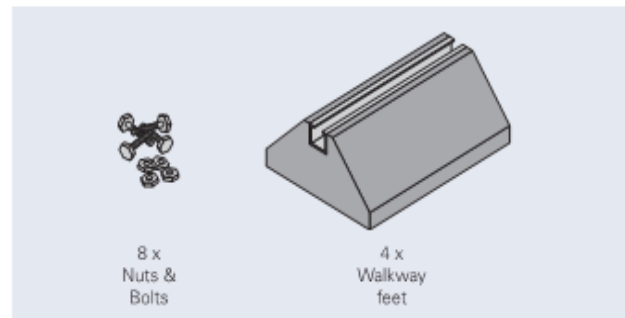
- Lay the feet out along the route of the intended walkway
- The feet need to be placed at 1000 mm intervals.
- Slide the aluminium nuts bolts and washers in the aluminium channel in the foot.
- Mark position of protruding bolt on the walkway and drill the appropriate holes.
- Fix feet to the walkway and tighten nuts to 77 kN - lay the feet out along the route of the intended walkway.



### Fixing Detail

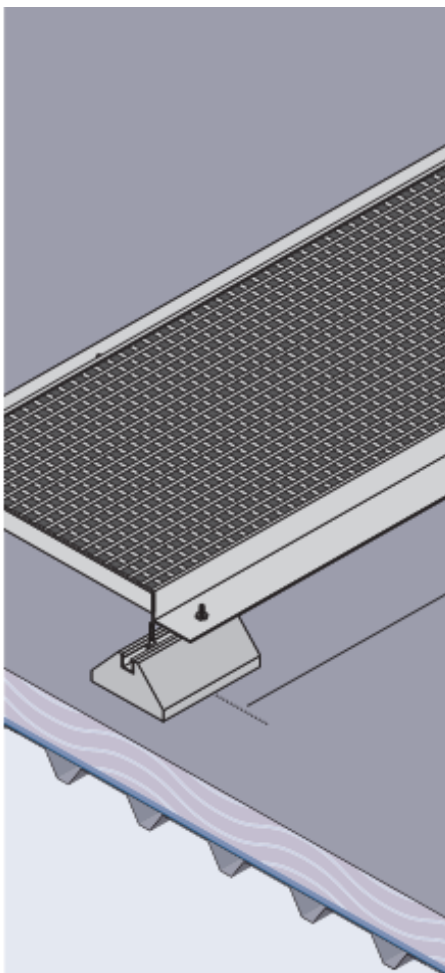


### Components



**SafetyFabrications**  
MAKE STEEL WORK

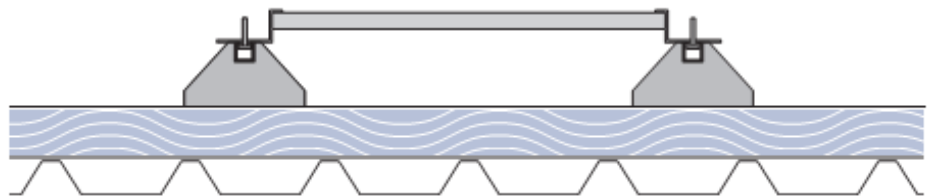




1000 mm

### INSTALLATION GUIDE; Joining two sections of walkway.

- To join walkways at 90° angles place foot underneath the angle and bolt through both walkways on either side.
- Ensure feet are spaced no more than 1000 mm apart, using feet to join the walkways.



## ASCENT™ Aluminium Walkways

SPECIFICATION DETAILS  
FOR FLAT ROOFING SYSTEMS

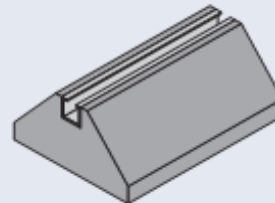
**S** MADE IN  
SHEFFIELD

**CE**  
Certified

### Components



8 x  
Nuts &  
Bolts

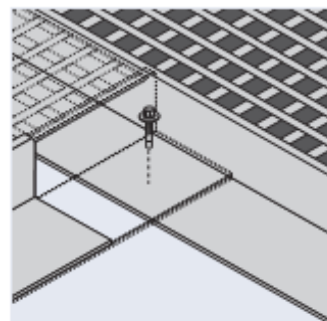
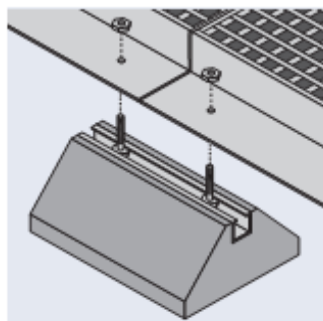


4 x  
Walkway  
feet



8 x  
Self-drilling  
screws

### Fixing Detail



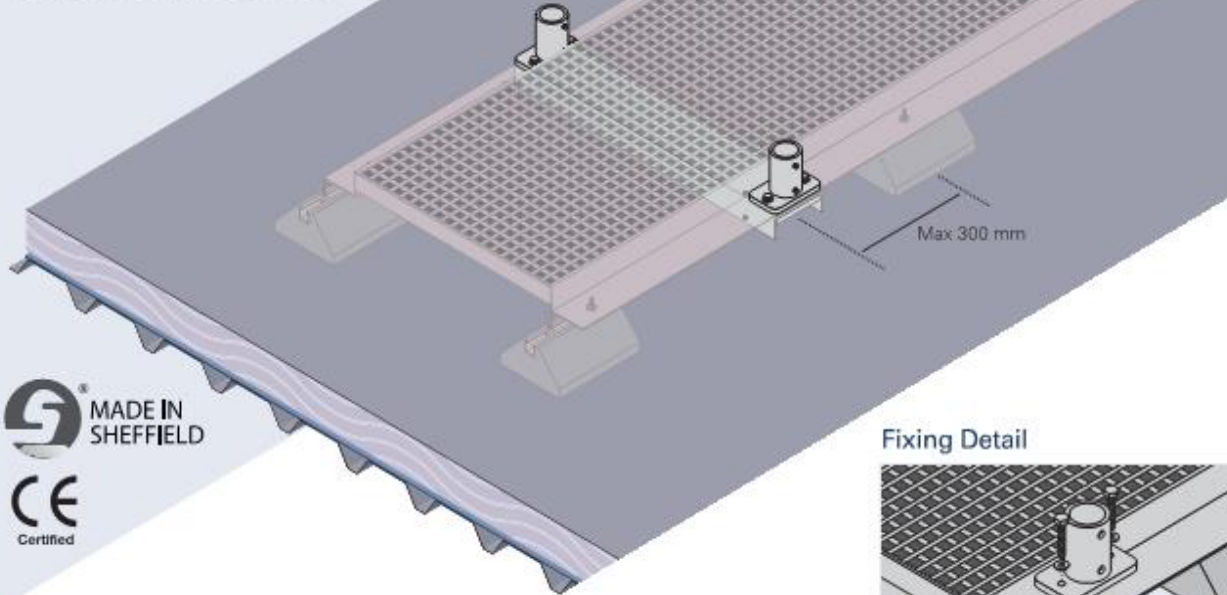
**Upon completion check all fixings are to the required torque settings:**  
Self drilling screws 6 Nm

**SafetyFabrications**  
MAKE STEEL WORK

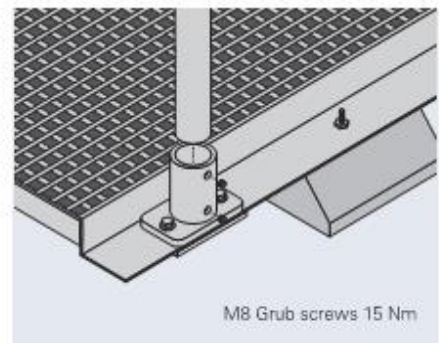
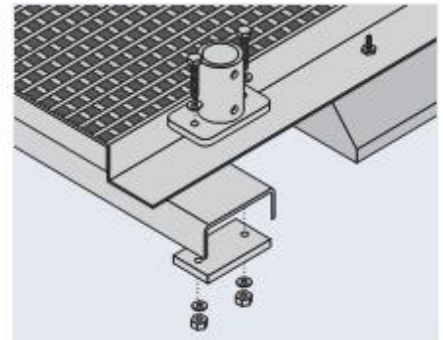


# ASCENT™ Aluminium Walkways with Guardrail

SPECIFICATION DETAILS  
FOR FLAT ROOFING SYSTEMS



Fixing Detail

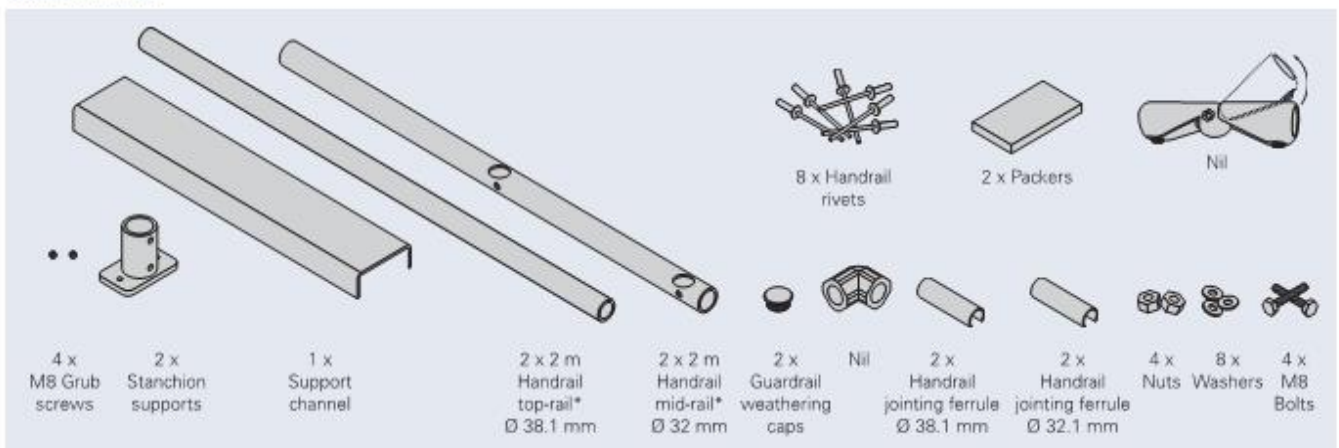


M8 Grub screws 15 Nm

## INSTALLATION GUIDE; Fixing Aluminium Guardrail Walkway

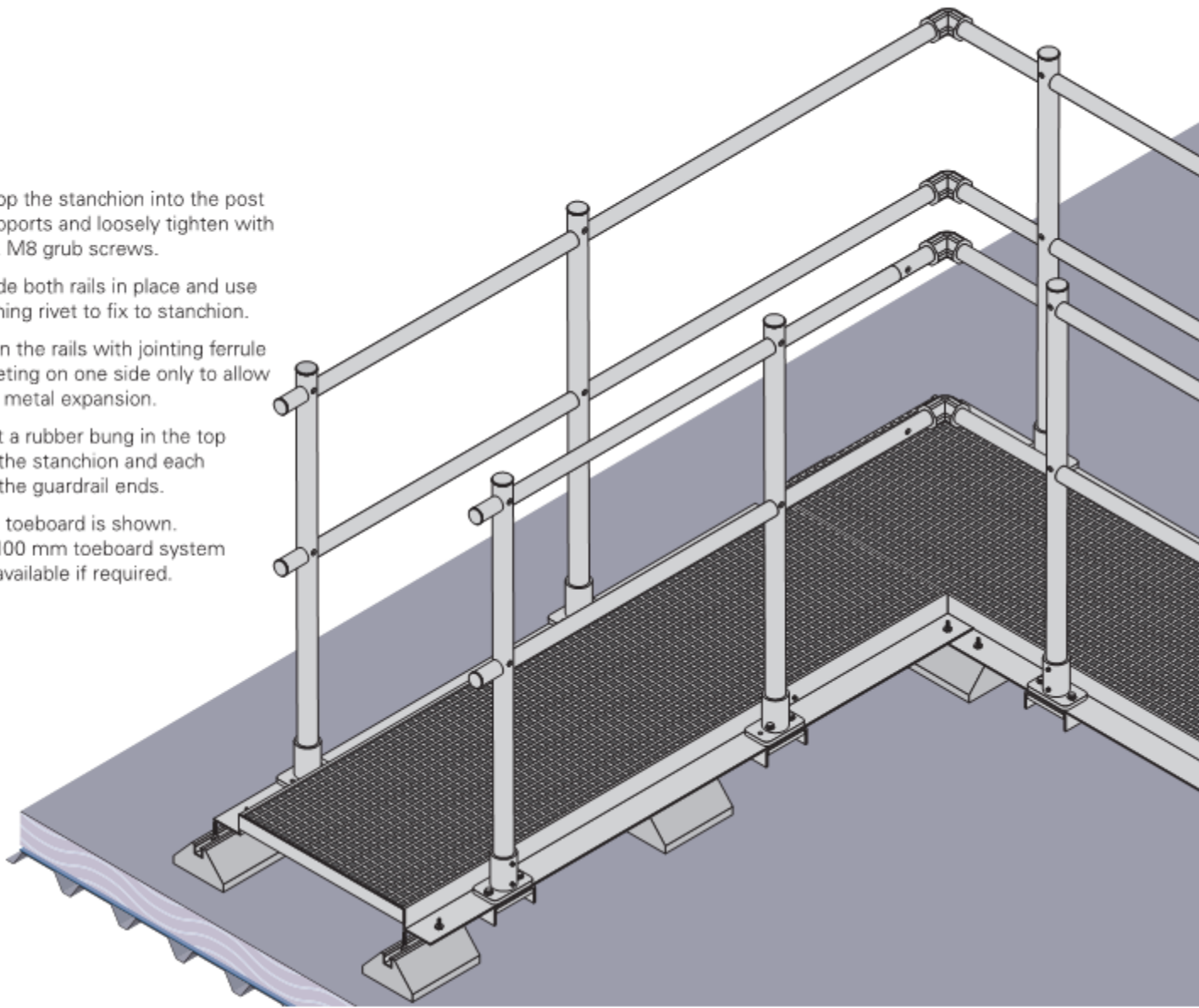
- Fit channel to underside of walkway using the M12 bolts, ensuring packer is in place beneath walkway and handrail base above.
- Place the post supports a maximum of 300 mm from the feet.
- Hold support post in place with suitable clamps, drill through walkway.
- Slide support channel under the walkway, put packer in place and tighten post support with M12 bolts ensuring nylon washer keeps metallic surfaces separated.

## Components

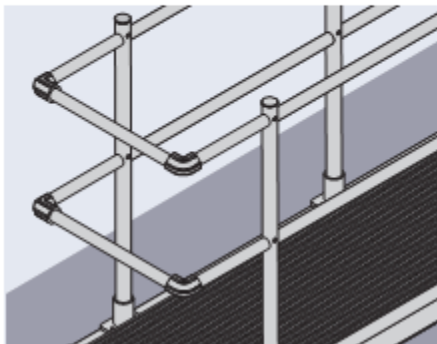


\*Assuming handrail to both sides

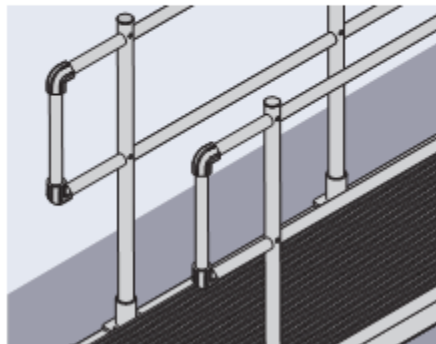
- Drop the stanchion into the post supports and loosely tighten with x 2 M8 grub screws.
- Slide both rails in place and use joining rivet to fix to stanchion.
- Join the rails with jointing ferrule riveting on one side only to allow for metal expansion.
- Put a rubber bung in the top of the stanchion and each of the guardrail ends.
- No toeboard is shown. A 100 mm toeboard system is available if required.



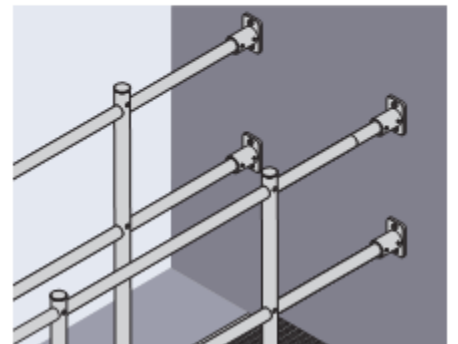
Guardrail closed end detail



Guardrail open end detail

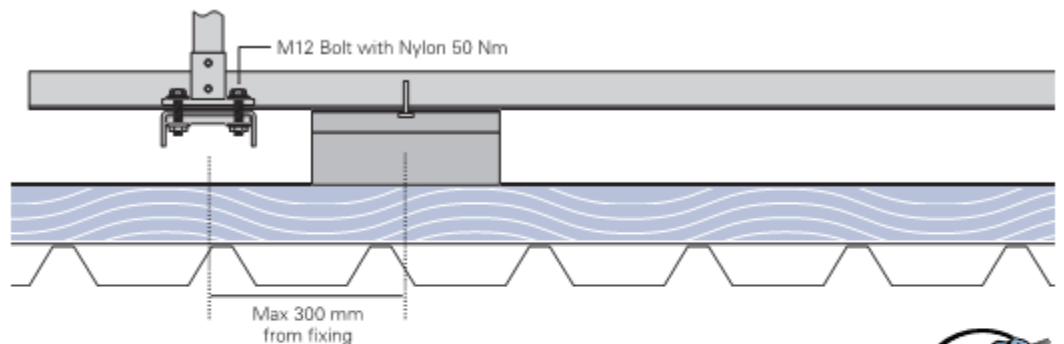


Guardrail wall fix detail



**Ensure everything is tightened to correct torque settings:**

Self drill screws 6 Nm / Grub screws on tube fittings 29 Nm / Handrail stanchion grub screws 15 Nm / M12 bolts 12 Nm / Bulb rivets with rivet tool



**SafetyFabrications**  
MAKE STEEL WORK



**SafetyFabrications**  
MAKE STEEL WORK



16-17 Nutwood Trading Estate  
Limestone Cottage Lane  
Sheffield, S6 1NJ  
0114 285 2203  
[info@safetyfabrications.co.uk](mailto:info@safetyfabrications.co.uk)  
[www.safetyfabrications.co.uk](http://www.safetyfabrications.co.uk)